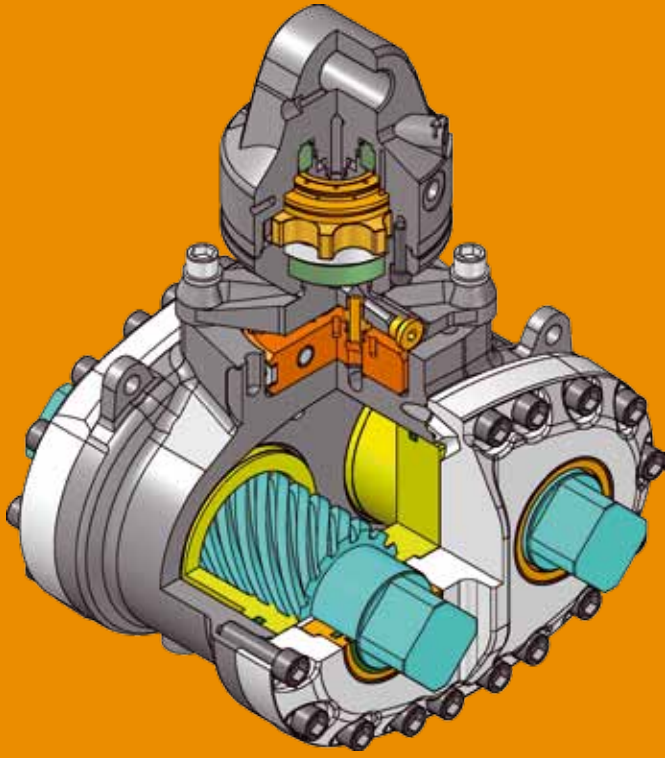


KM 605 HPXdrive



HPXdrive®

www.kinshofer.com



KINSHOFER

crane and excavator attachments

KM 605HPXdrive

The KM 605 *HPXdrive* is a powerful version for difficult tasks with a closing force of 34 kN.

Technical Specifications:

Closing force (of 32 MPa):	34 kN for the KM 605 HPX
Torque (at 32 MPa):	21000 Nm
Recommended operating pressure:	26 to 32 MPa (approx. 260 to 320 bar)
Recommended Oil Flow:	40 to 90 l/min

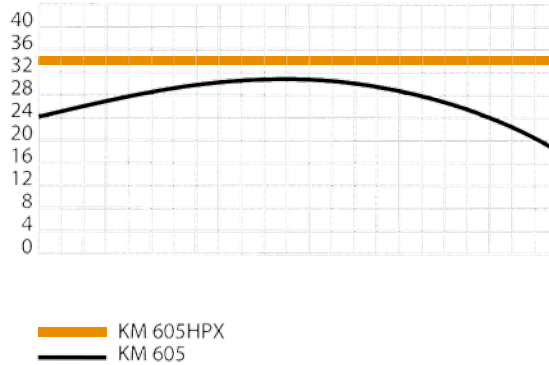
Historically the open and close functions of the attachments were achieved by using hydraulic cylinders, now they are generated by two hollow shafts, which run opposed and have a helix thread, hydraulically driven by a single piston. Through the advantages of the *HPXdrive* – technology time is saved and the service life is extended.

Full closing force is delivered from the beginning of the digging process, when the shells are in the opened position, ensuring powerful penetration even in grown soil. Full closing force is also provided at the end when the shells are closed, to optimally compact the material. The hydrostatic bearings for the axes increase the degree of efficiency and lead to a higher closing force.

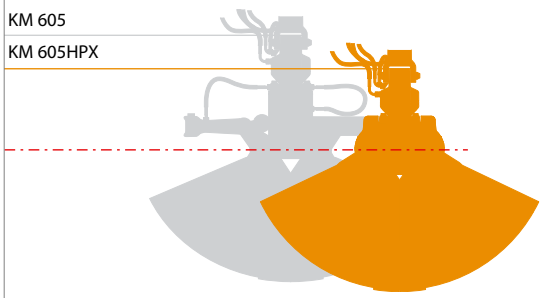
Please note: Closing forces refer to an internal working pressure of 32 MPa (approx. 320 bar). The recommended oil flow of 60 l/min provides an opening time of 1,3 sec. and closing time of 2,6 sec.

Constant Closing Force

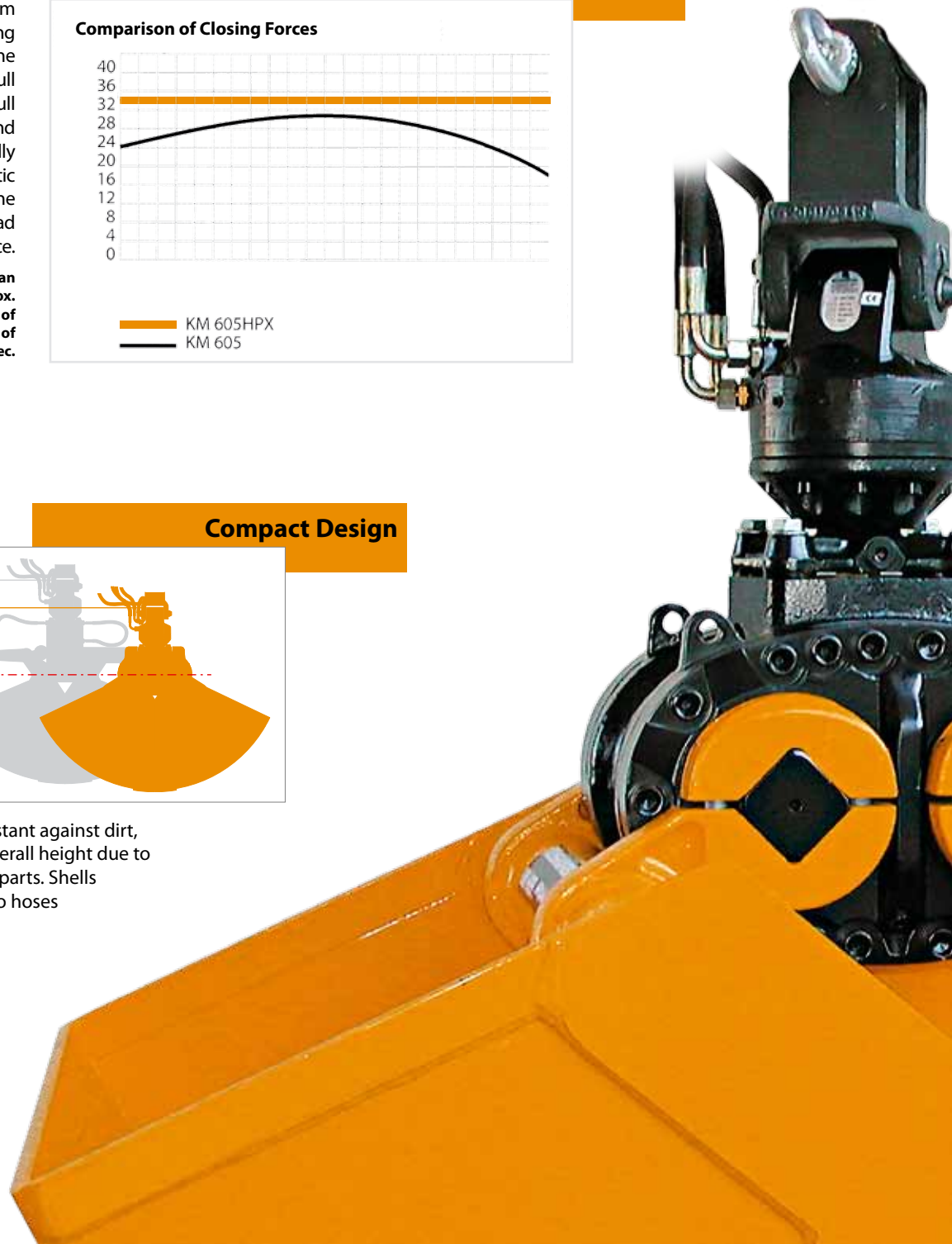
Comparison of Closing Forces



Compact Design



HPXdrive – the compact unit is resistant against dirt, blows and uprising material. Low overall height due to the compact design. No protruding parts. Shells are easily accessible from the top. No hoses are required in combination with a **KINSHOFER** rotator with flange: **KINSHOFER** rotator and *HPXdrive* are integrated in a single unit (internal oil passage).



Combination with shaft-style rotator



The standard rotator for the KM 605 *HPXdrive* is the **KINSHOFER** rotator with flange KM 04F140-30V. In case a quick change to a non rotating hook is necessary, the *HPXdrive* can be delivered with the **KINSHOFER** rotator with shaft KM 04 S – in combination with the quick change system KM 505 or reduction link KM 502.

KM 501
Upper suspension



KM 04 S
Rotator with shaft



KM 04 F
Rotator with flange



KM 505
Quick change system



KM 502
Reduction link



KM 460 04
Non-rotating hook

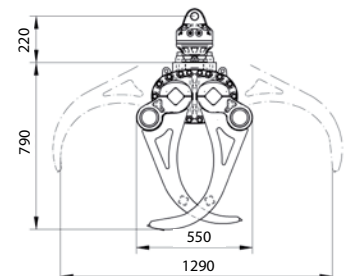
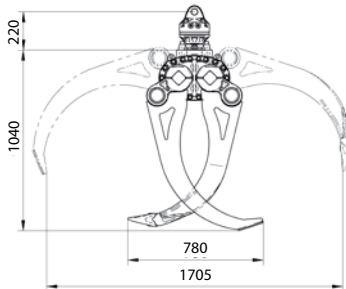
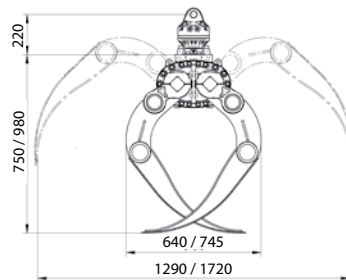
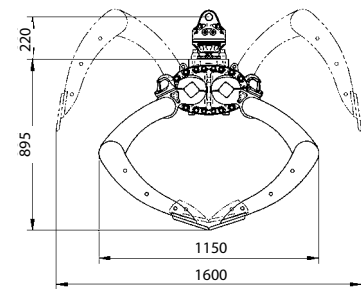
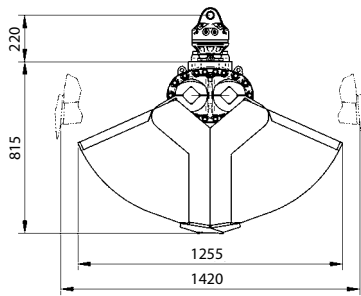


Easy exchange system



The bucket shells are bolted to the shafts, and therefore it is very easy to replace them with another set of shells. Different types of shells for different applications can be refitted onto the driving unit, e.g. clamshell bucket, rock grapple, timber grapple, hay and forestry grapple and multi-purpose clamshell.

Exchangeable shells for the *HPXdrive Heavy Duty*



Type	Capacity (litre)	Width (mm)	Number of teeth required	Weight (kg)	Closing force (kN at 32 MPa)	Load capacity (kg)
------	---------------------	---------------	--------------------------------	----------------	---------------------------------------	--------------------------

Heavy duty clamshell bucket – KM 605HPX

KM 605HPX-200	200	400	4	320	34	3000
KM 605HPX-250	250	500	4	340	34	3000
KM 605HPX-350	350	650	6	355	34	3000
KM 605HPX-450	450	800	6	380	34	3000
KM 605HPX-550	550	1000	8	410	34	3000

Heavy duty multi-purpose clamshell – KM 605U HPX

KM 605U HPX-250	250	570	5 *	370	30	3000
KM 605U HPX-300	300	670	5 *	385	30	3000
KM 605U HPX-400	400	820	7 *	405	30	3000
KM 605U HPX-450	450	920	7 *	420	30	3000
KM 605U HPX-500	500	1020	9 *	435	30	3000

* optional available with bolt-on teeth

Heavy duty hay and forestry grapple – KM 641HPX-HD

KM 641HPX-HD-0,2	0,20 m ²	670	7	285	30	1000
KM 641HPX-HD-0,4	0,40 m ²	940	7	375	26	2000

(Dimensions: KM 641HPX-0,2 / KM 641HPX-0,4)

Heavy duty rock grapple – KM 613HPX-HD

KM 613HPX-HD	0,35 m ²	400	-	310	22	2000
---------------------	---------------------	-----	---	-----	----	------

Heavy duty timber grapple – KM 632HPX-HD

KM 632HPX-HD-0,16	0,16 m ²	400	-	265	31	1000
--------------------------	---------------------	-----	---	-----	----	------

Package consists of: grapple, bolt-on teeth (KM 605HPX), rotator KM 04 F140-30V, upper suspension KM 501, non-return valve

Hauptsitz Deutschland:
KINSHOFER GmbH
 Hauptstrasse 76
 83666 Waakirchen
 Tel.: +49 (0)8021 – 88 99 0
 Fax: +49 (0)8021 – 88 99 37
 Email: info@kinshofer.com

United Kingdom:
KINSHOFER UK Ltd.
 4 Milton Industrial Court
 Horsfield Way, Bredbury
 Stockport, Cheshire, SK6 2TA
 Tel.: +44 (0)161 – 406 7046
 Fax: +44 (0)161 – 406 7014
 Email: sales@kinshofer.co.uk

France:
KINSHOFER France S.A.R.L.
 B.P. 20100
 67213 Obernai Cedex
 Tel.: +33(0) 3 88 39 55 00
 Fax: +33(0) 3 88 79 06 75
 Email: info@kinshofer.fr

Česká Republika a Slovinsko:
KINSHOFER CZ s.r.o.
 Cs. Legií 568
 37810 Ceske Velenice
 Tel.: +420 384 – 795 110
 Fax: +420 384 – 795 120
 Email: v.blazek@kinshofer.com

North America:
KINSHOFER North America
 5040 Mainway Drive, Unit #11
 Burlington, ON L7L 7G5
 Tel.: +1 (905) 335 2856
 Fax: +1 (905) 335 4529
 Toll Free (North America):
 +1 (800) 268 9525
 Email: sales-northamerica@kinshofer.com

Zhong Guo:
 Darda **KINSHOFER** Construction
 Machinery Co. Ltd.
 Unit #306, Landmark Tower 2
 8 Dongsanhuan Road
 Beijing 100004
 Tel.: +86 (10) 6590 6422
 Fax: +86 (10) 6590 6423
 Email: info@darda.com.cn
 Website: www.darda.com.cn

Suomi:
KINSHOFER
APONOX Oy
 Tölkkimäentie 8
 FI-13130 Hämeenlinna
 Tel.: +358 (0)75 7540 200
 Fax: +358 (0)75 7540 210
 Email: info@kinshofer-aponox.com

Generalvertretung für Benelux:
 Rigter Handelsonderneming
 Nieuwe Maatsweg 7
 NL-3755 NP Eemnes
 Tel.: +31 (0) 35 53 10628
 Fax: +31 (0) 35 53 17462
 Mobil: +31 (0) 653 - 370935
 +31 (0) 651 - 366420
 Email: gf.rigter@gmail.com
 kees.rigter@gmail.com

HPX605-KIN-E-0410-op

Up front, everywhere

KINSHOFER
 crane and excavator attachments