

The robust pallet fork KM 414 with manual centre of gravity compensation is an economic alternative.

- **Manual change of position of shifting collar** by the operator.
- **Suspension Ring** for **KINSHOFER** flange or shaft rotator, or for a crane hook is included in the package.
- **Throat height adjustable in steps** from 1050 mm to 1650 mm with a lock pin.
- **Tine spread adjustable in steps** from 320 mm to 930 mm with a lock pin.



## Pallet Fork KM 414

Type	Load capacity (kg)	Throat height A (mm)	Tine length (mm)	Tine spread Z (mm)	Tine dimensions (width x height) (mm)	Centre of gravity (mm)	Self weight (w/o rotator) (kg)
KM 414-1500-500	1500	1050 – 1650	980	325 – 920	80 x 35	500	125
KM 414-2000-500	2000	1050 – 1650	980	345 – 940	100 x 35	500	140
KM 414-2500-500	2500	1050 – 1650	980	355 – 945	90 x 40	500	165
KM 414-3000-500	3000	1050 – 1650	980	385 – 975	100 x 45	500	200
KM 414-1500-600	1500	1050 – 1650	1150	345 – 940	100 x 35	600	150
KM 414-2000-600	2000	1050 – 1650	1150	355 – 945	90 x 40	600	195
KM 414-2500-600	2500	1050 – 1650	1150	385 – 975	100 x 45	600	210
KM 414-3000-600	3000	1050 – 1650	1150	385 – 975	100 x 45	600	210

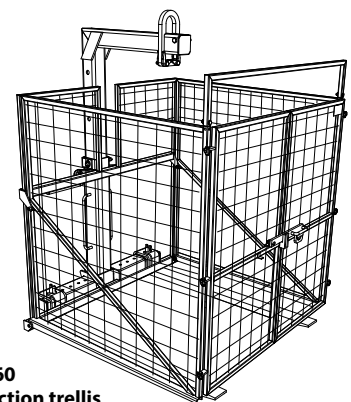
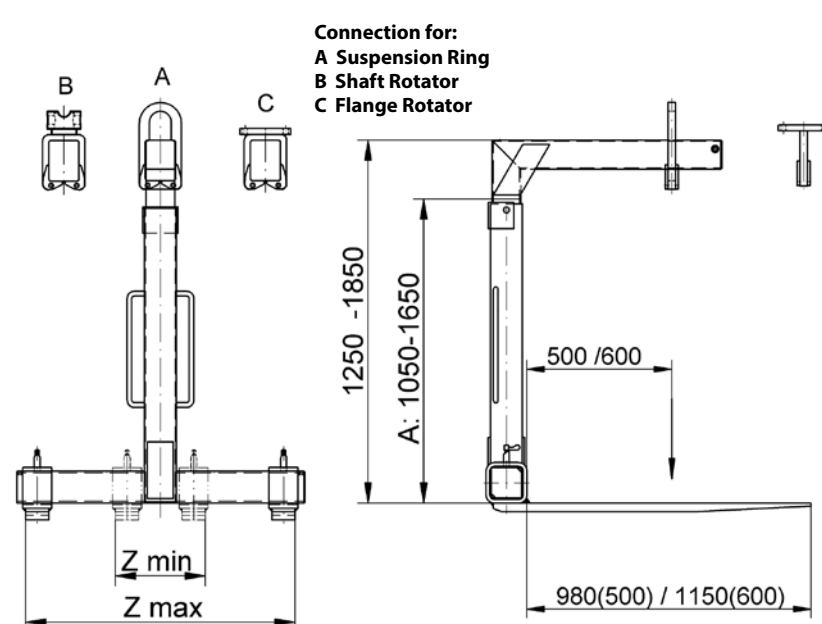
**Package consists of:** pallet fork, protection chain KM 460 01

**Please note:** a protection trellis or net is mandatory for loose material (EN 13255)

## Accessories

Type	Description
KM 460 1100	protection trellis for loads up to 2000 kg – dimensions: 1100x1100x1500mm
KM 460 1300	protection trellis for loads up to 2000 kg – dimensions: 1300x1300x1500mm
KM 04 F	<b>KINSHOFER</b> flange rotator for precise positioning of the load – up to 4500 kg load capacity
KM 04 S	<b>KINSHOFER</b> shaft rotator for precise positioning of the load – up to 4500 kg load capacity
KM 505	quick change system for shaft-type rotators
KM 502 4500	reduction link between rotator and grapple
KM 460 04 KM 04 S	non-rotating hook for rotator KM 04 S

## Technical Drawings



**KM 460 protection trellis**

The protection trellis is used to secure loose loads handled with pallet forks KM 415 and KM 414 – e.g. brick packages, loose construction materials. When handling loose material, a protection trellis or net to secure the load, is obligatory (EN 13155). The maximum capacity is 2000 kg. The protection trellis can be mounted within a few minutes and is thus suitable for each construction site without any problems