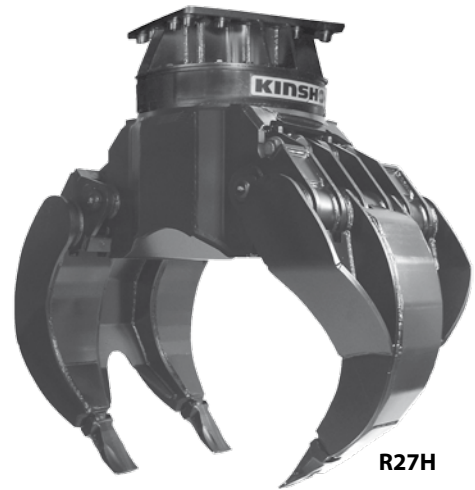


Rock Grabs

R20H/R27H

Rock grab for excavators from 14t to 27t operating weight for positioning and handling of natural rocks.

- R20H and R27H are rock grabs for rigid mounting or cardanic mounting.
- Long life due to the use of cutting edges made out of 500HB steel.
- Robust, fully integrated rotation that is fixed at 4 points to withstand external forces, with connecting hoses located inside the hub. Hydraulic quick exchange systems are mountable directly. Integrated pressure relief valve against overcharge.
- Exceptional closing forces through two horizontally positioned hydraulic cylinders that are protected by the bucket carrier.
- Larger gripping volume due to widely spaced pivots.
- Integrated non-return-valve guarantees secure handling of loads.
- Cylinders are hydraulically cushioned.



R27H

Rock Grabs R20H / R27H

Type	Width B (mm)	Opening width A (mm)	Height C (mm)	Volume (m ²)	Weight (kg)	Load capacity (kg)	Torque (Nm)	Operating weight (t)
R20H-0,40	720	1800	1340	0,40	1050	5000	4000	14 – 20
R27H-0,55	840	2040	1500	0,55	1500	6000	5000	18 – 27

Package consists of: rock grab, integrated rotation with 4 fixing points and non-return valve

Accessories

Type	Description
KM 690 20t	adapter for rigid mounting – up to 20t
KM 690 27t	adapter for rigid mounting – up to 27t
OQ65	bolt-on-adapter for Oilquick OQ65 – 14t to 22t
OQ70	bolt-on-adapter for Oilquick OQ70 – 15t to 28t
OQ70/55	bolt-on-adapter for Oilquick OQ70/55 – 18t to 28t
SW10 rigid	bolt-on-adapter for Lehnhoff grab exchange system SW/MS10 for rigid mounting – up to 19t
SW21 rigid	bolt-on-adapter for Lehnhoff grab exchange system SW/MS21 for rigid mounting – up to 28t
KM 501 19t-60t	upper suspension without pendulum damper
KM 511 19t-60t	upper suspension with pendulum damper
KM 693 01	adapter for cardanic mounting R20H
KM 693 02	adapter for cardanic mounting R27H

Requirements of Excavator

Operating pressure:	R20H max. 32 MPa (320 bar)	R27H max. 35 MPa (350 bar)	Rotation max. 17 MPa (170 bar)
Pump capacity:	75 -150 l/min	75 - 150 l/min	25 - 60 l/min
Hydraulic connection (grab/rotator):	G 3/4" / G 1/2"	G 3/4" / G 1/2"	

Technical Drawings

