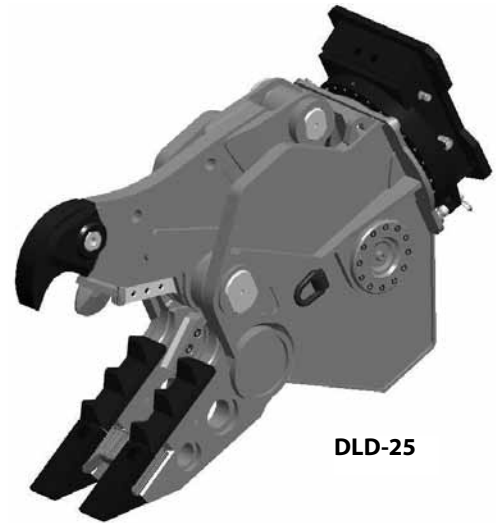


DLC / DLD / DLP Rotating Combi Crusher/Demolition Crusher/Pulveriser

The rotating demolition tools of the new Dedicated Demolition Line (DDL) have been developed for primary and secondary demolition. Their jaws are designed for each application area within a demolition job site: Combi Crusher DLC, Demolition Crusher DLD or Pulveriser DLP.

Advantages:

- Powerful cylinder with robust pin suspension.
- Cylinder in two chamber technique with speed valve.
- Rotation with additional oil passage.
- Twin rotation motors for extra rotation power.
- Swing bearing double pivoted.
- Rotation circuit filters.
- Teeth, shrouds and cutting blades exchangeable.
- Excellent speed/ power to weight ratio.
- DLP: exchangeable ground tooth-plate.



DLD-25

Rotating Combi Crusher DLC

Type	Operating weight excavator (t)	Weight (kg)	Jaw opening (mm)		Width (mm)		Height (mm)	Jaw depth (mm)		Length cutting blades (mm)	Closing force * (kN)
			A	B	lower jaw B	upper jaw C		D	E		
DLC-25	18 - 25	1840	785	390	90	1940	800	400	650 / 900		
DLC-30	22 - 35	2400	875	455	100	2150	900	450	750 / 1100		
DLC-45	32 - 50	2950	980	470	100	2370	990	500	1000 / 1450		

Rotating Demolition Crusher DLD

Type	Operating weight excavator (t)	Weight (kg)	Jaw opening (mm)		Width (mm)		Height (mm)	Jaw depth (mm)		Length cutting blades (mm)	Closing force * (kN)
			A	B	lower jaw B	upper jaw C		D	E		
DLD-25	18 - 25	1850	825	400	90	1980	800	200	700 / 1100		
DLD-30	22 - 35	2400	870	475	100	2155	885	200	800 / 1250		
DLD-45	32 - 50	2950	990	525	100	2360	950	200	1000 / 1500		

Rotating Pulveriser DLP

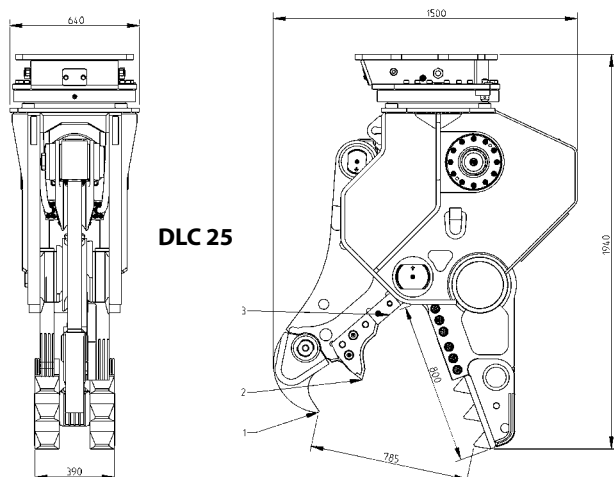
Type	Operating weight excavator (t)	Weight (kg)	Jaw opening (mm)		Width (mm)		Height (mm)	Jaw depth (mm)		Length cutting blades (mm)	Closing force * (kN)
			A	B	lower jaw B	upper jaw C		D	E		
DLP-25	18 - 25	1850	790	400	325	1980	800	200	650 / 1000		
DLP-30	22 - 35	2380	860	475	350	2155	885	200	750 / 1100		
DLP-45	32 - 50	2950	985	525	400	2360	950	200	1000 / 1450		

* Schliesskraft gemessen am Vorderzahn / Splittzahn

Hydraulics

Type	Open/Close		Rotation	
	Pressure max. (bar)	Flow (l/min)	Pressure max. (bar)	Flow (l/min)
	DLC-25 / DLD-25 / DLP-25	350	120-200	140
DLC-30 / DLD-30 / DLP-30	350	150-250	140	40-60
DLC-45 / DLD-45 / DLP-45	350	200-300	140	40-60

Technical Drawings



DLC 25



DLC-25
Combi-Crusher



DLD-25
Demolition Crusher



DLP-25
Pulveriser

