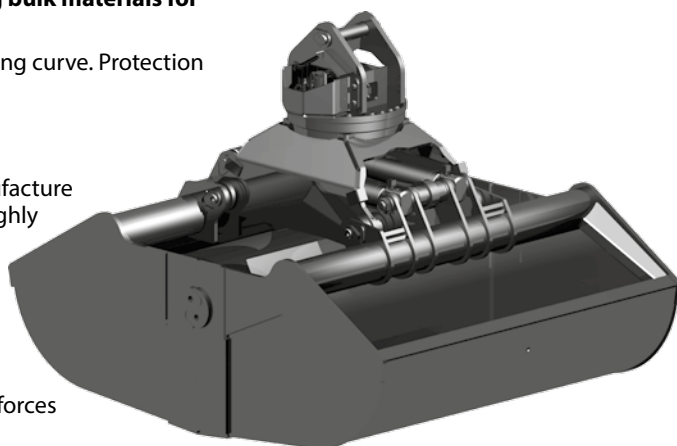


C40H

Re-handling Clamshell Bucket

Durable Re-handling Clamshell Bucket, especially for loading bulk materials for excavators from 25t to 40t operating weight.

- Maximum volume due to widely spaced pivots with a flat closing curve. Protection of the ground surface is guaranteed, e.g. discharge from boat and train carriages etc.
- Precise positioning with an integrated rotor.
- Long life is ensured due to the use of 500 HB steel in the manufacture of cutting edges. Shell back walls (8 mm, HB 400) also resist highly abrasive materials. Bearing points with specially coated bushings and hardened pins.
- With integrated rotation: Swivel and bevel sealed. Rotary feedthrough and motor accessible directly.
- Integrated non-return valve guarantees security of the load.
- Excellent digging characteristics are the result of high closing forces (57 kN at an operating pressure of 35 MPa).
- Also available as Heavy Duty version with reinforced shells on request.



Re-handling Clamshell Bucket C40H

Type	Opening (mm)	Width B (mm)	Height C (mm)	Volume (Litre)	Weight (kg)	Capacity (kg)
C40H-100	2520	1000	1680	1240	1335	7000
C40H-125	2520	1250	1680	1540	1400	7000
C40H-150	2520	1500	1680	1850	1455	7000
C40H-175	2520	1750	1680	2150	1635	7000
C40H-200	2520	2000	1680	2460	1750	7000

Package consists of: re-handling clamshell bucket, **KINSHOFER** rotation (pin-Ø 70/lug distance 225 mm) and non-return valve

Accessories

Type	Description
KM 501 19t-60t	upper suspension without pendulum damper
KM 511 19t-60t	upper suspension with pendulum damper
SW25 cardanic	adapter for Lehnhoff grab exchange system SW/MS25 without suspension – up to 40t adapter for quick exchange systems from other manufacturers available

Requirements of Excavator

Operating pressure (open/close):	max. 35 MPa (350 bar)
Operating pressure (rotate):	max. 17 MPa (170 bar)
Pump capacity (open/close):	50 - 200 l/min
Pump capacity (rotate):	max. 40 l/min

Technical Drawings

