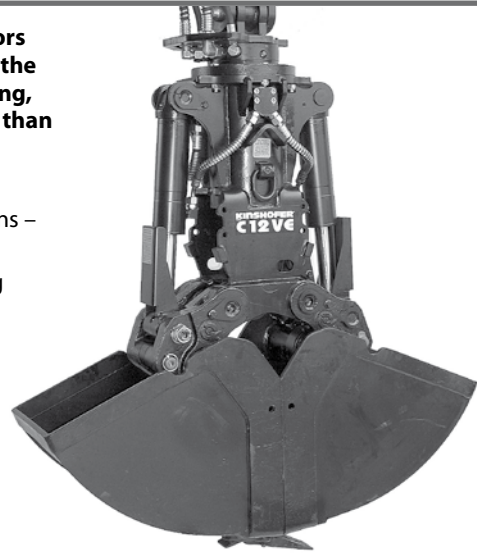


# C12VE

## Clamshell Bucket with Exchangeable Shells

Clamshell Bucket with exchangeable shells and vertical cylinders for excavators from 9t to 12t operating weight – through quick and easy exchange of shells, the C12VE is ideal for different applications, for excavation operations, landscaping, trench digging, handling of logs and more. The shells can be changed in less than four minutes.

- Economic solution as only the shells have to be exchanged to switch applications – bucket carrier, hydraulics and bearings are integrated into the main carrier.
- Long life is ensured due to the use of 500 HB steel in the manufacture of cutting edges.
- Reduced wear resulting from generously dimensioned bearing system.
- Excellent digging characteristics are the result of high closing forces (39 kN at an operating pressure of 32 MPa).



### Clamshell Bucket C12VE

Type	Width B (mm)	Volume (litre)	Number of teeth	Self weight (kg)	Load capacity (kg)
C12VE-32	325	125	3	475	4500
C12VE-40	400	160	3	485	4500
C12VE-50	500	200	5	500	4500
C12VE-60	600	245	5	515	4500
C12VE-70	700	285	7	525	4500
C12VE-80	800	330	9	535	4500

Package consists of: clamshell bucket, bolt-on teeth, **KINSHOFER** rotator, non-return valve and hose guard, 2 welded eyes

### KINSHOFER Rotator

Continuous rotation and two oil passages. Overload protection is ensured by pressure relief valves.

Type	Upper connection (width x pin-Ø) (mm)	Torque (Nm)	Moment of deflection max. (Nm)
KM 10 F275-50	110 x 50	2000	14000

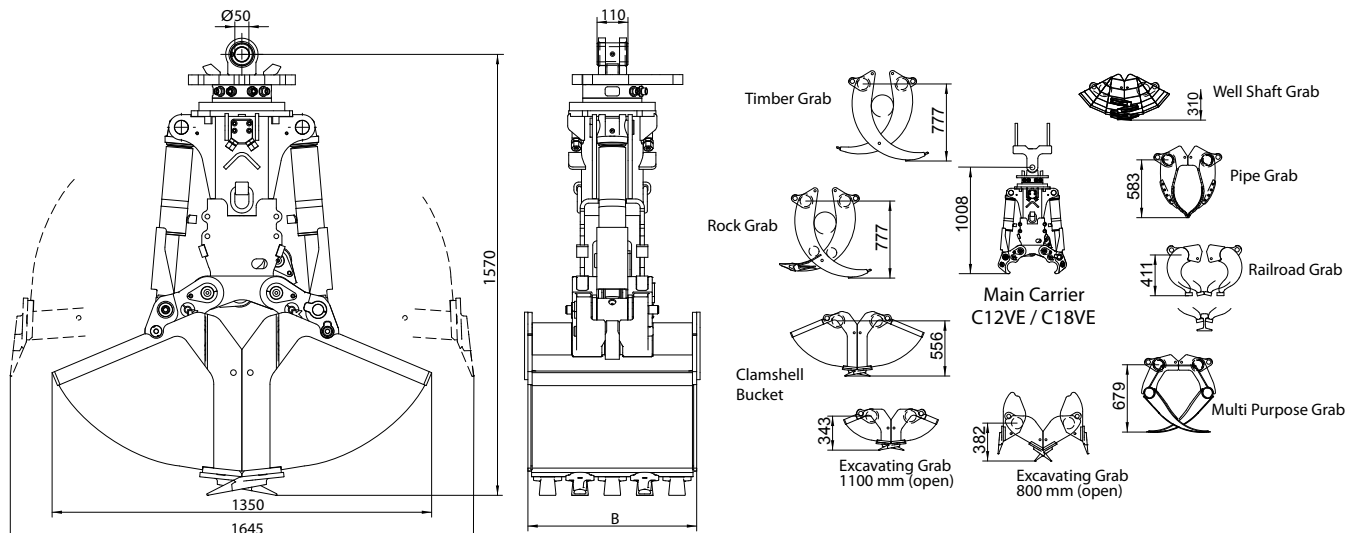
### Accessories

Type	Description
KM 501 9t-12t	upper suspension without pendulum damper
KM 511 9t-12t	upper suspension with pendulum damper
SW08 cardanic	adapter for Lehnhoff grab exchange system SW/MS08 without suspension – up to 12t
SW10 cardanic	adapter for Lehnhoff grab exchange system SW/MS10 without suspension – up to 19t
KM 680 C12VE/C18VE	adapter for quick exchange systems from other manufacturers available scraper

### Requirements of Excavator

Operating pressure: **max. 32 MPa (320 bar)**  
 Pump capacity: 40 - 120 l/min

### Technical Drawings

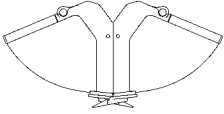
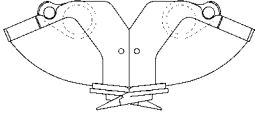
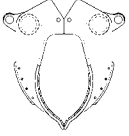
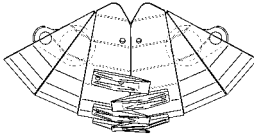
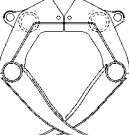
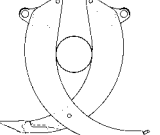
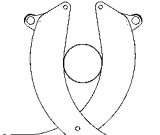
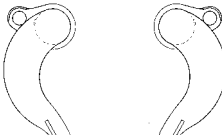


# Exchangeable Shells

# C12VE

## Exchangeable Shells for C12VE

Shells are interchangeable and available in all widths. Rapid exchange with shell stand and pin exchange tool

Type	Width (mm)	Opening range (mm)	Height overall (mm)	Volume (Liter)	Number of teeth	Weight of shells (kg)	Self weight (kg)	Load capacity (kg)	Closing force (kN)
<b>Clamshell Bucket</b>									
<b>C12VE-32S</b>	325	1535	1570	125	3	130	480	4500	39
<b>C12VE-40S</b>	400	1535	1570	160	3	140	495	4500	39
<b>C12VE-50S</b>	500	1535	1570	200	5	165	515	4500	39
<b>C12VE-60S</b>	600	1535	1570	245	5	180	530	4500	39
<b>C12VE-70S</b>	700	1535	1570	285	7	205	555	4500	39
<b>C12VE-80S</b>	800	1535	1570	330	9	225	575	4500	39
<b>Excavating Grab</b>									
<b>C12VE-32S EG</b>	325	1200	1350	90	3	110	450	4500	52
<b>C12VE-40S EG</b>	400	1100	1355	55	3	125	475	4500	55
<b>C12VE-80S EG</b>	800	800	1350	100	9	155	505	4500	63
<b>Pipe Grab</b>									
<b>C12VE-80S PG</b>	800	Ø75-Ø560	1590	Ø560mm		145	485	4500	39
<b>Well Shaft Grab</b>									
<b>C12VE-100S WSG</b>	Ø1000	1000	1320	100	5	140	480	4500	60
Note: Larger Shells available on request									
<b>Multi Purpose Grab</b>									
<b>A12VE-94S</b>	940	1850	1695	400		205	550	4500	39
<b>A12VE-122S</b>	1220	1850	1695	600		240	595	4500	39
<b>Rock Grab</b>									
<b>R12VE-48S</b>	480	1850	1790	0,50 m <sup>2</sup>		200	555	4500	30
<b>Timber Grab</b>									
<b>T12VE-47S</b>	470	1835	1795	0,50 m <sup>2</sup>		180	535	4500	30
<b>Railroad Grab</b>									
<b>C12VE-50S RG</b>	500	1350	1405	-		135	485	4500	44

**Package consists of:** exchangeable buckets, shell stand and pin exchange tool

**Please note:** special buckets are available on request

